

Analysis of Philanthropist for Internal NGO Management using Data Mining

#¹Rupal Singh, #²Nikhita Singh, #³Roshan Singh, #⁴Pravendra Kumar Singh



¹rupalsingh617@gmail.com
²nikhitasingh39@gmail.com
³roshan814@gmail.com
⁴pravendra.lavy@gmail.com

#¹²³⁴Department of Computer Science
Dhole Patil College of Engineering, Pune.

ABSTRACT

Non-governmental organizations (NGOs) make significant contributions to diverse areas. Similar to for-profits they need to manage their knowledge, but often lack resources for this. Social software may give a “new hope” for knowledge management in NGOs particularly by implementing social knowledge environments (SKEs). Since majority of international NGOs have a website, is it possible to use it to support SKE? This paper proposed a theoretical framework for creating a SKE on the base of NGO website. Proposed website model considers NGO features from this perspective and shows the approach to SKE development. Web mining a process through which meaningful data and patterns are acquired from large data sets, can benefit the charitable sector. Since the techniques used for mining meaningful data relies on computer science and coding, it is often automatic (or semi-automatic) once the algorithms are in place. Therefore, this process can be a feasible and effective tool for donor profiling in India.

Keywords: Data mining, API, web application, machine learning, UI design,.

ARTICLE INFO

Article History

Received: 4th December 2019

Received in revised form :

5th December 2019

Accepted: 7th December 2019

Published online :

8th December 2019

I. INTRODUCTION

Information technology has progressed to such an extent where people do the daily work with just few clicks. The advancement in technology has led the world where it is today. Just a few clicks and all the information from around the world is present in the hands of people within fraction of seconds. Similarly, people don't find time to do some duties out of the daily working schedules and this is where our paper focuses on.

Today there are many such people who want to help others in some good cause or for self -satisfaction. Donation or volunteering is one of the most preferred things which people wish to do. But searching for a satisfactory NGO becomes a tedious task. Thus our online application will be able to provide a solution to the previous mentioned burden.

Our research brought us to a conclusion that there should be such a system where people may go through a good number of NGOs and make a particular selection according to their need instead of being overwhelmed by the search results which internet provides.

This system will not only be able to assist the donors or the volunteers but also allow the NGOs or social events to advertise themselves through our application. All the NGOs will have their own web pages displaying their information and contacts. The NGOs will also be able to upload their wish lists according to their current needs so that the donor will be able to view them and contact the particular NGO. Hence the overall paper proposes such a system that will soothe the on goings between a donor/ volunteer and an NGO/social organization.

II. PROBLEM STATEMENT

Create a donation website using data mining through which people can connect to NGOs and contribute in their work. Use web mining for donor profiling by which you can analysis donor's characteristics to get a better idea of which donor is interested in which type of donations

III. LITERATURE SURVEY

According to Non-Government Organizations: Problems & Remedies In ,It is a usual lesson that there have been grave charges of mistreat and misuse of funds received as grant- in-aid form the government, overseas donors and brought up through their own resources by the many of the NGOs. According to Online Monitoring System (OMS)[1], help the NGOs to centrally monitor and track the progress of their daily work in a very comprehensive manner.

According to Assessing Online Behaviours through Discussion Forums in NGO's Daily Working Life [2], it was found that a shortage of resource is often experienced by the social and welfare institutions because their service focus is on the under privileged rather than the opposite.

The paper, an introduction to NGO management [5], suggests the growing need of NGO throughout the world be more effective and productive, and one way to achieve this is by broadening and strengthening the constitution of their Boards.

The paper, Environmental NGOs in World Politics Linking the Local and the Global [6], explains the key role of NGOs in an emerging world environmental politics, this paper also shows how NGOs act both as independent bargainers and as agents of social learning, to link biophysical conditions to the political realm at both the local and global levels.

The paper, NGOs Intervention in Poverty Alleviation [7], D.K. Gosh (2001) opines that attacking poverty and its reduction to an appreciable extent seems to be not manageable only by the Government sector.

According to eighth paper, The National Non-profit Leadership and Management Journal [8], their purpose

is to present a corporate bridge for a win-win situation and achieve a balance in society by studying the existing operations of the NGOs.

IV. PROPOSED SYSTEM

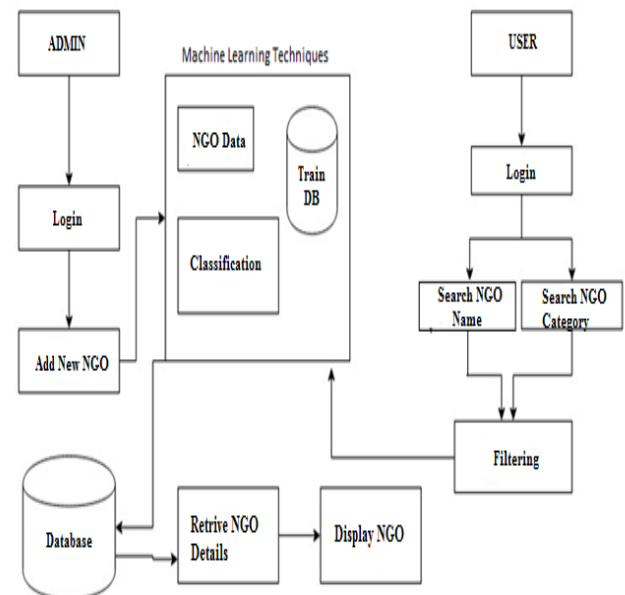


Fig 1. System architecture

In order to overcome the issues faced by NGOs and Volunteers, it would be better to introduce a social network for NGOs and Volunteers. Hence proposed system is web application system is developed in order to serve as a platform to connect NGOs and volunteers. Using Text mining, the system connects users who are requesting donation with the donors. The System also gives automated ranking from user's view on NGO projects.

V. ACKNOWLEDGMENT

I wish to express my profound thanks to all who helped us directly or indirectly in making this paper. Finally I wish to thank to all our friends and well-wishers who supported us in completing this paper successfully I am especially grateful to our guide for him time to time, very much needed, valuable guidance. Without the full support and cheerful encouragement of my guide, the paper would not have been completed on time.

VI. CONCLUSION

Web portal not only solve the issues faced by NGO's but also the other organizations, donors, volunteer. It

will serve as common platform for different categories of NGO. Searching a suitable event will be easy for volunteer. Donor can make donations according to wish list of NGO. It will be user friendly for users i.e., NGO's, volunteer, social organizations, donor etc.

REFERENCES

[1.] "Numeric Paper Forms for NGOs", by Gursharan Singh, Leah Findlater, Kentaro Toyama, Scott Helmer, Rikin Gandhi, RavinBalakrishnan

[2.] "Assessing Online Behaviors through Discussion Forums in NGO's Daily Working Life", by Yao-Jen Chang, Yu-Chia Chuang, Tsen-Yun Wang, Yao-Sheng Chang

[3.] "Online Monitoring System(OMS) ,an Online tool for centralized monitoring of NGOs", by Ravi Shankar, VIT University ,Vellore, India and Narita ,School of Information Technology and Engineering.

[4.] "NON-GOVERNMENT ORGANIZATIONS: PROBLEMS & REMEDIES IN INDIA", by KakumaniLavanya and Lathaand Kotte Prabhakar Ellison, M. Firm foundations: Improving NGO data collection

[5.] "An introduction to NGO Management" (Iranian Studies Group at MIT) June 2005